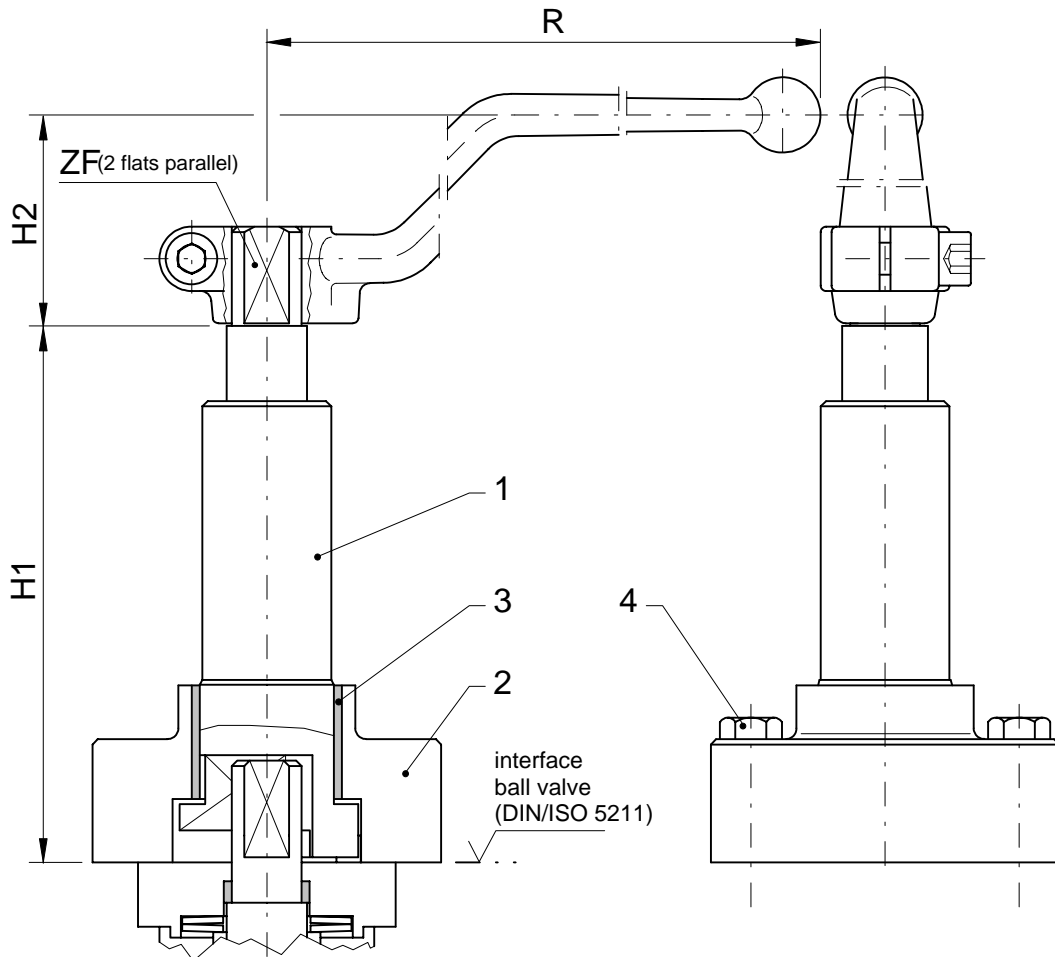


Stem-Extension

- open type -



Technical modifications are reserved.

Description:

This PERRIN-Stem-Extension can be field mounted at any time. The mounting flange corresponds to the NAMUR recommendations with dimensions to DIN/ISO 5211. Origin lever can be used from our existing ball valve. If not available, please order separately.

Connections / Dimensions

connection DIN/ISO 5211	dimensions [mm]				
	ZF	H1 ¹⁾	H2	R	
F 05	10	100	45	180	
F 07	12	100	45	300	
F 10	18	100	20	450	
F 12	32	100	34	800	

Materials

item	designation	stainless- steel	
1	extension	1.4301	
2	centering cover	1.4301	
3	bearing	PTFE-Bronze	
4	screw	A 2-70	

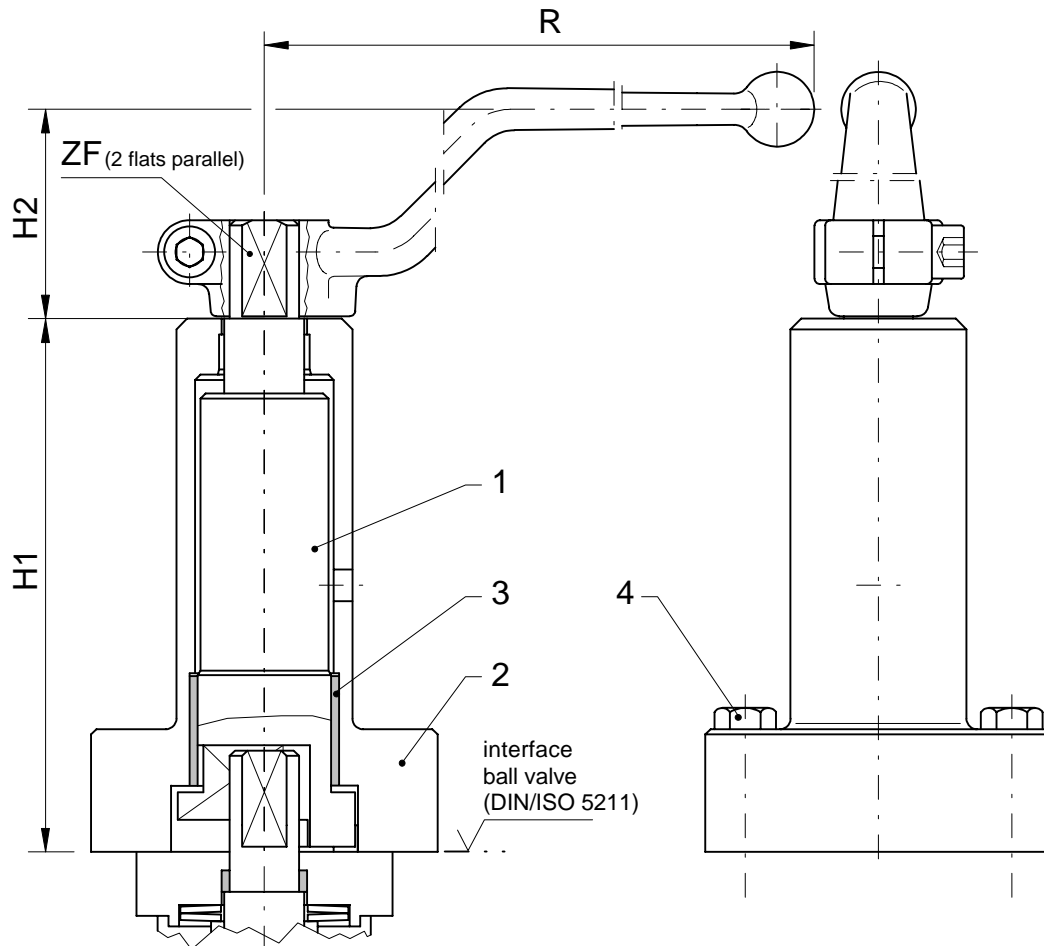
¹⁾ other dimensions on request.

SO 05/99 E0

PERRIN GmbH

Stem-Extension

- closed type -



Technical modifications are reserved.

Description:

This PERRIN-Stem-Extension can be field mounted at any time. Insulation can be fitted and tightened directly to the extension. Available without rotation limit or limit for 90°, 120° or 180° motion. The interface connection to the ball valve top corresponds to the NAMUR recommendations with dimensions to DIN/ISO 5211. Origin lever can be used from our existing ball valve. If not available, please order separately.

Connections / Dimensions

connection DIN/ISO 5211	dimensions [mm]			
	ZF	H1 ¹⁾	H2	R
F 05	10	100	45	180
F 07	12	100	45	300
F 10	18	100	20	450
F 12	32	100	34	800

Materials

item	designation	stainless- steel	
1	extension	1.4301	
2	case	1.4301	
3	bearing	PTFE-Bronze	
4	screw	A 2-70	

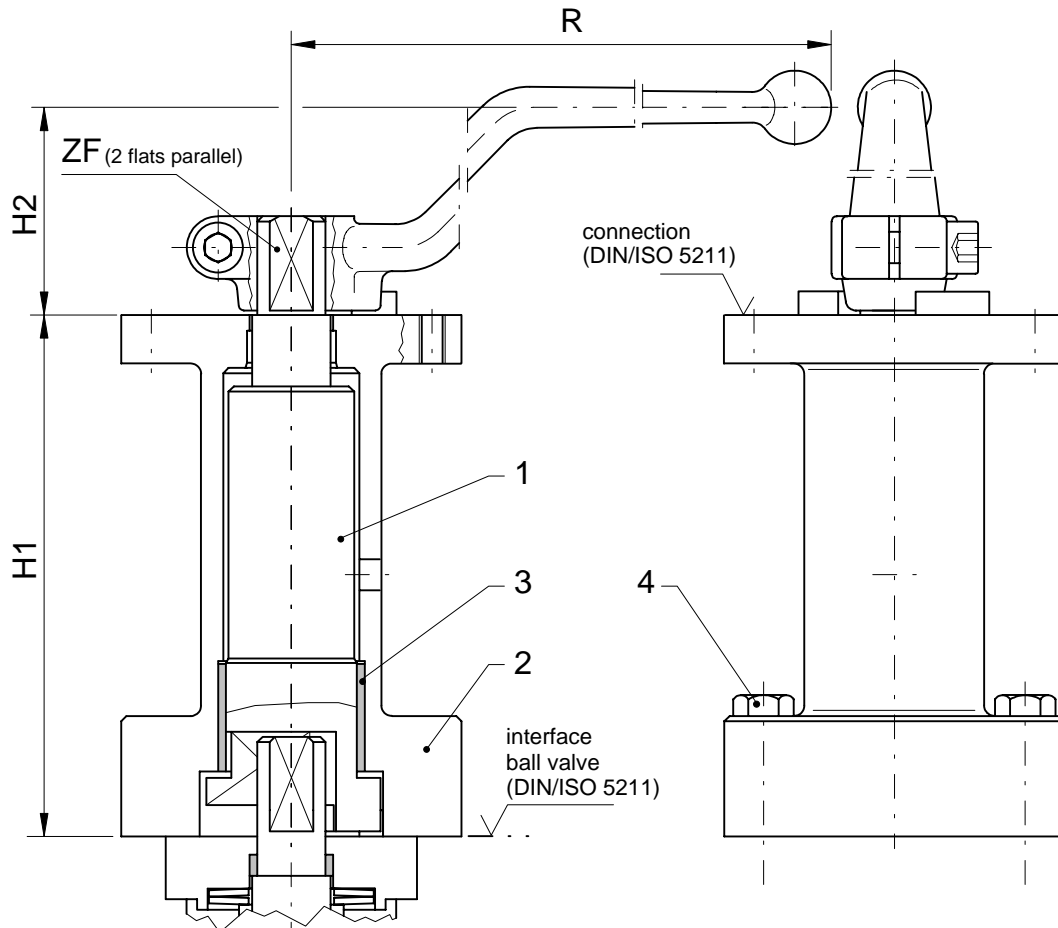
¹⁾ other dimensions on request

SG 06/99 E1

PERRIN GmbH

Stem-Extension

- closed type -
- with DIN/ISO connection -



Technical modifications are reserved.

Description:

This PERRIN-Stem-Extension can be field mounted at any time. Insulation can be fitted and tightened directly to the extension. Available without rotation limit or limit for 90°, 120° or 180° motion. The connections are corresponding to the NAMUR recommendations with dimensions to DIN/ISO 5211. Actuators and accessories can be field mounted at any time. Origin lever can be used from our existing ball valve. If not available, please order separately.

Connections / Dimensions

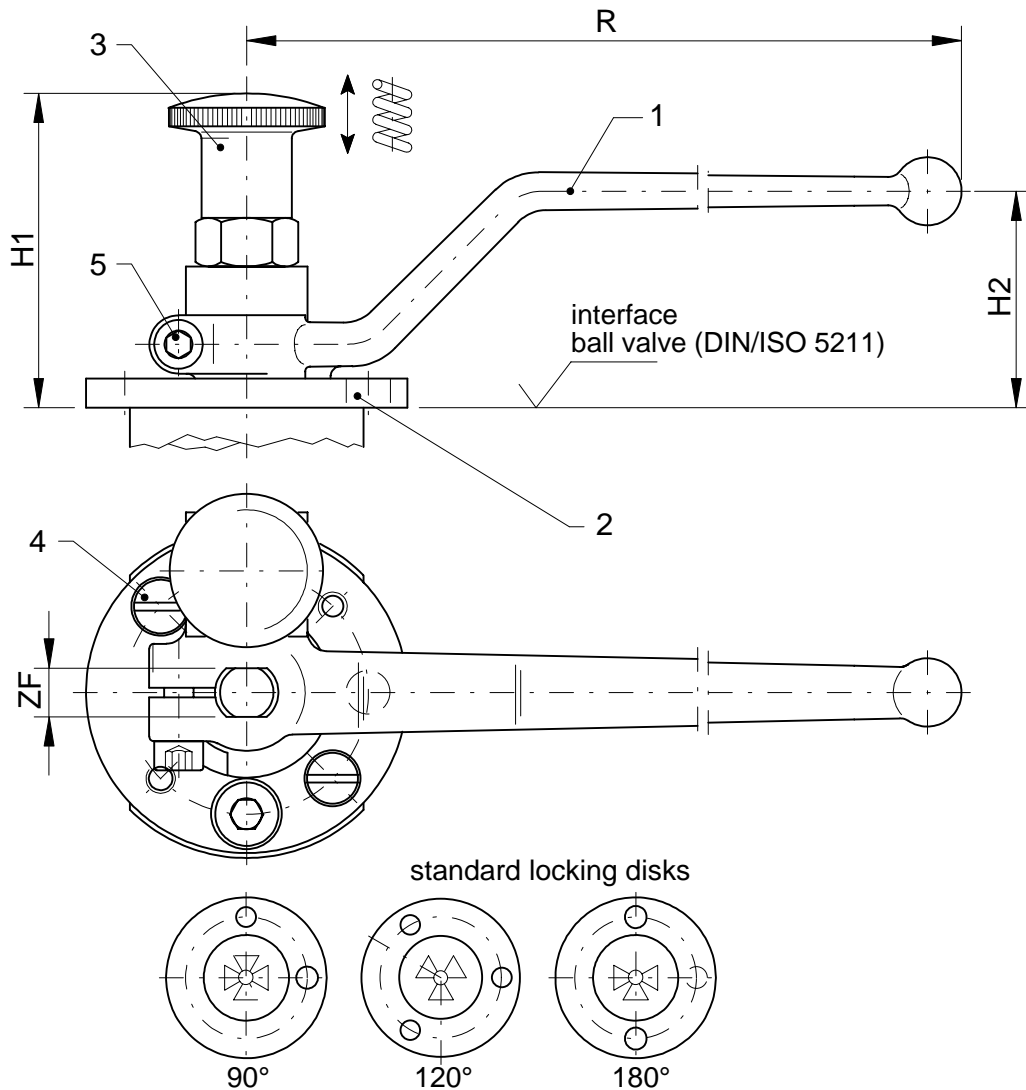
connection DIN/ISO 5211	dimensions [mm]			
	ZF	H1 ¹⁾	H2	R
F 05	10	100	45	180
F 07	12	100	45	300
F 10	18	100	20	450
F 12	32	100	34	800

Materials

item	designation	stainless- steel
1	extension	1.4301
2	case	1.4301
3	bearing	PTFE-Bronze
4	screw	A 2-70

¹⁾ other dimensions on request.

Snap-In Locking Device



Technical modifications are reserved.

Description:

This PERRIN-Snap-In-Locking-Device can be field mounted at any time. The device is available with locking disks for 90°, 120° or 180° operating angle. The interface connection to the ball valve top corresponds to the NAMUR recommendations with dimensions to DIN/ISO 5211.

Connections / Dimensions

connection DIN/ISO 5211	dimensions [mm]			
	ZF	H1	H2	R
F 05	10	65	45	180
F 07	12	65	45	300
F 10	18	71	20	450
F 12	32	71	34	800

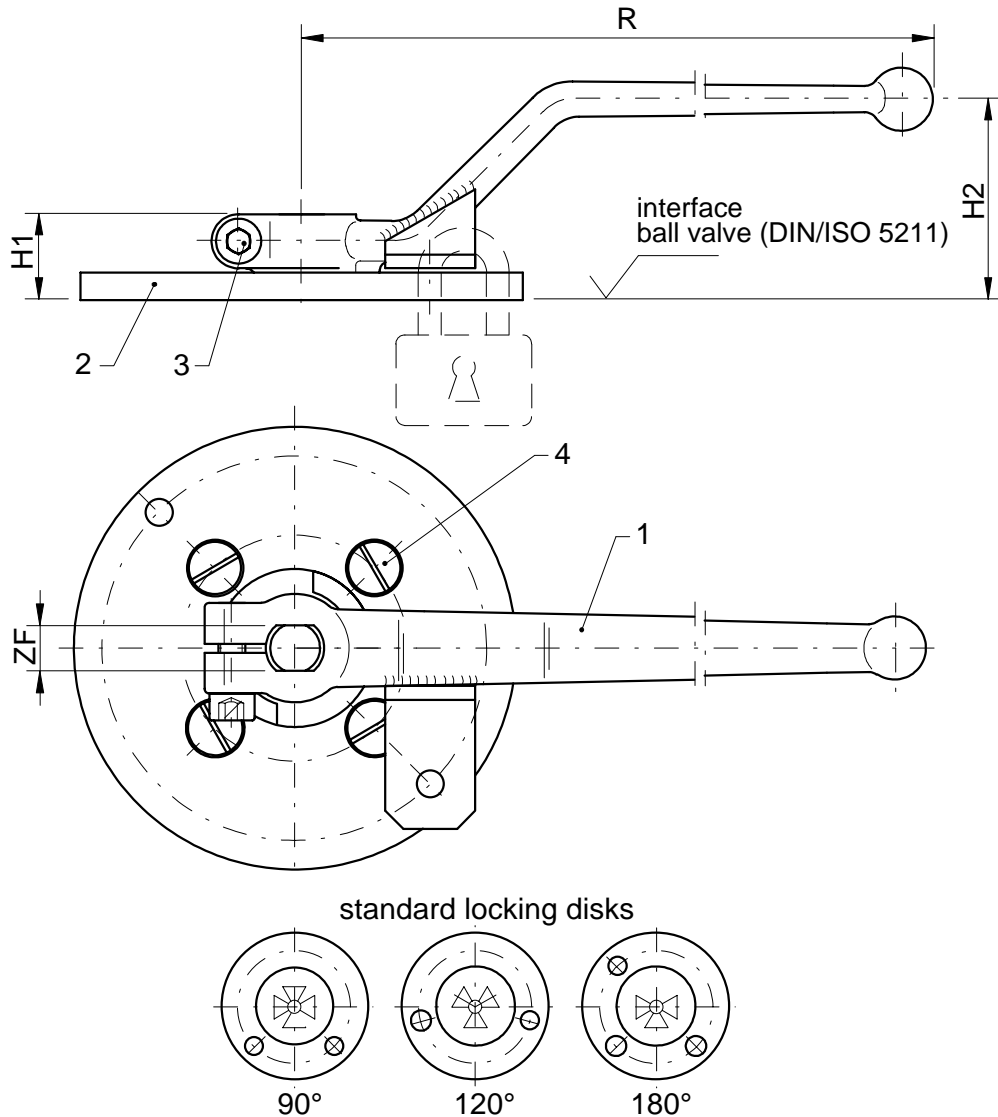
Materials

item	designation		
1	lever	1.0401 galvan.	
2	locking disk	1.0406 galvan.	
3	locking bolt	1.0721	
4	screw	4.8 galvanised	
5	screw	8.8 galvanised	

RE-05/99 E0

PERRIN GmbH

Locking Device



Technical modifications are reserved.

Description:

This PERRIN-Locking-Device can be field mounted at any time. The device is available with locking disks for 90°, 120° or 180° operating angle. The interface connection to the ball valve top corresponds to the NAMUR recommendations with dimensions to DIN/ISO 5211.

Connections / Dimensions

connection DIN/ISO 5211	dimensions [mm]			
	ZF	H1	H2	R
F 05	10	19	45	180
F 07	12	23	45	300
F 10	18	28	20	450
F 12	32	35	34	800

Materials

item	designation		
1	lever	1.0401 galvan.	
2	locking disk	1.0406 galvan.	
3	screw	8.8 galvanised	
4	screw	4.8 galvanised	

SE-05/99 E0