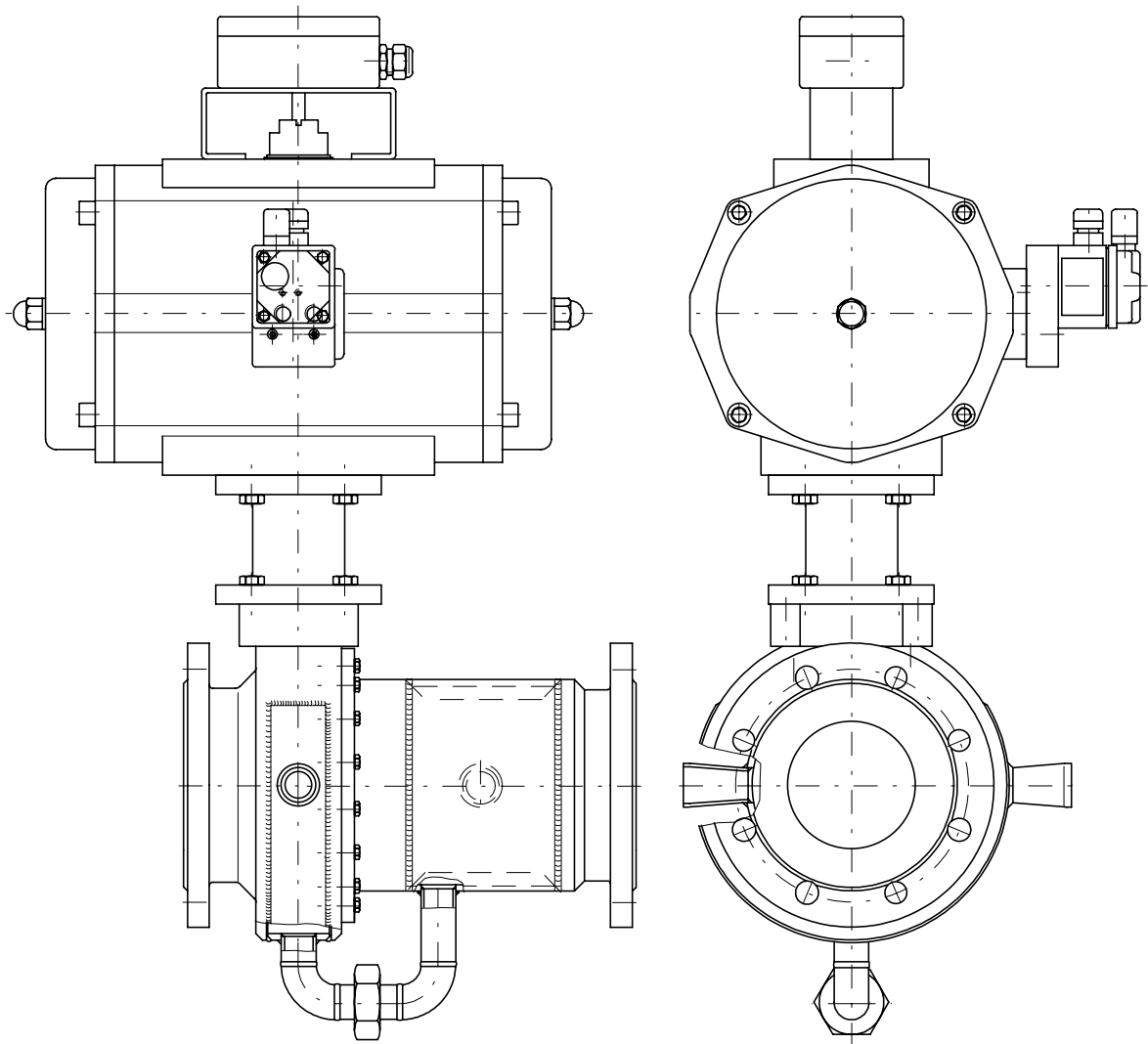


schematic drawing

Heating jacket

jacketed two-way ball valve
with insulation extension
and pneumatic actuator



Technical modifications are reserved.

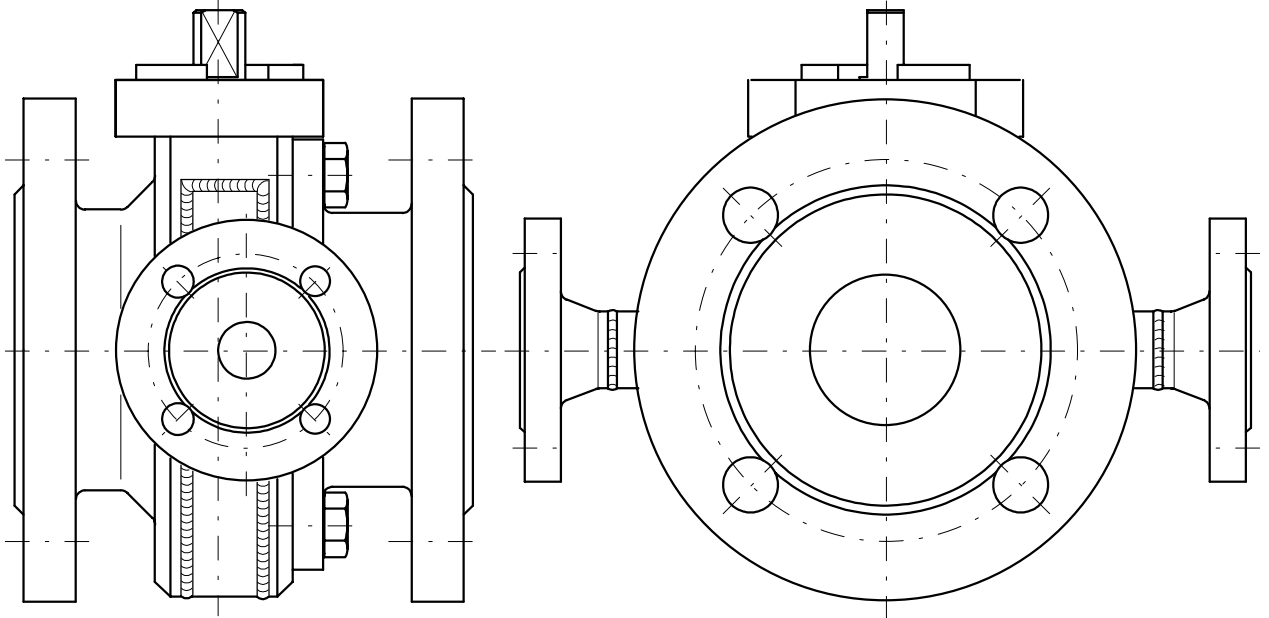
PERRIN GmbH

schematic drawing

Heating jacket

two-way ball valve
with jacketed body

Technical modifications are reserved.



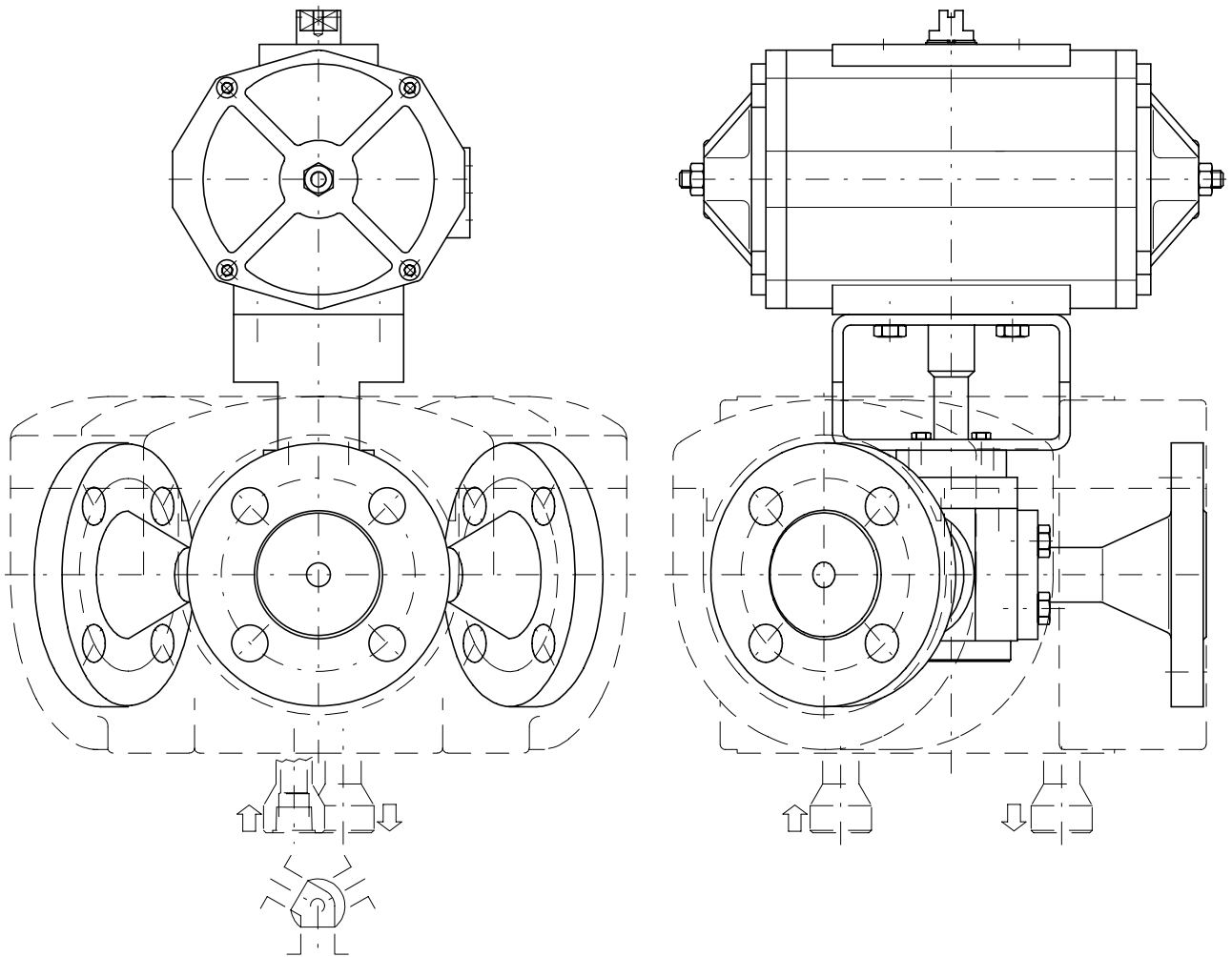
PERRIN GmbH

schematic drawing

Heating jacket

120° three-way ball valve with
oversize-flanges, fullsize heating jacket
and pneumatic actuator

Technical modifications are reserved.

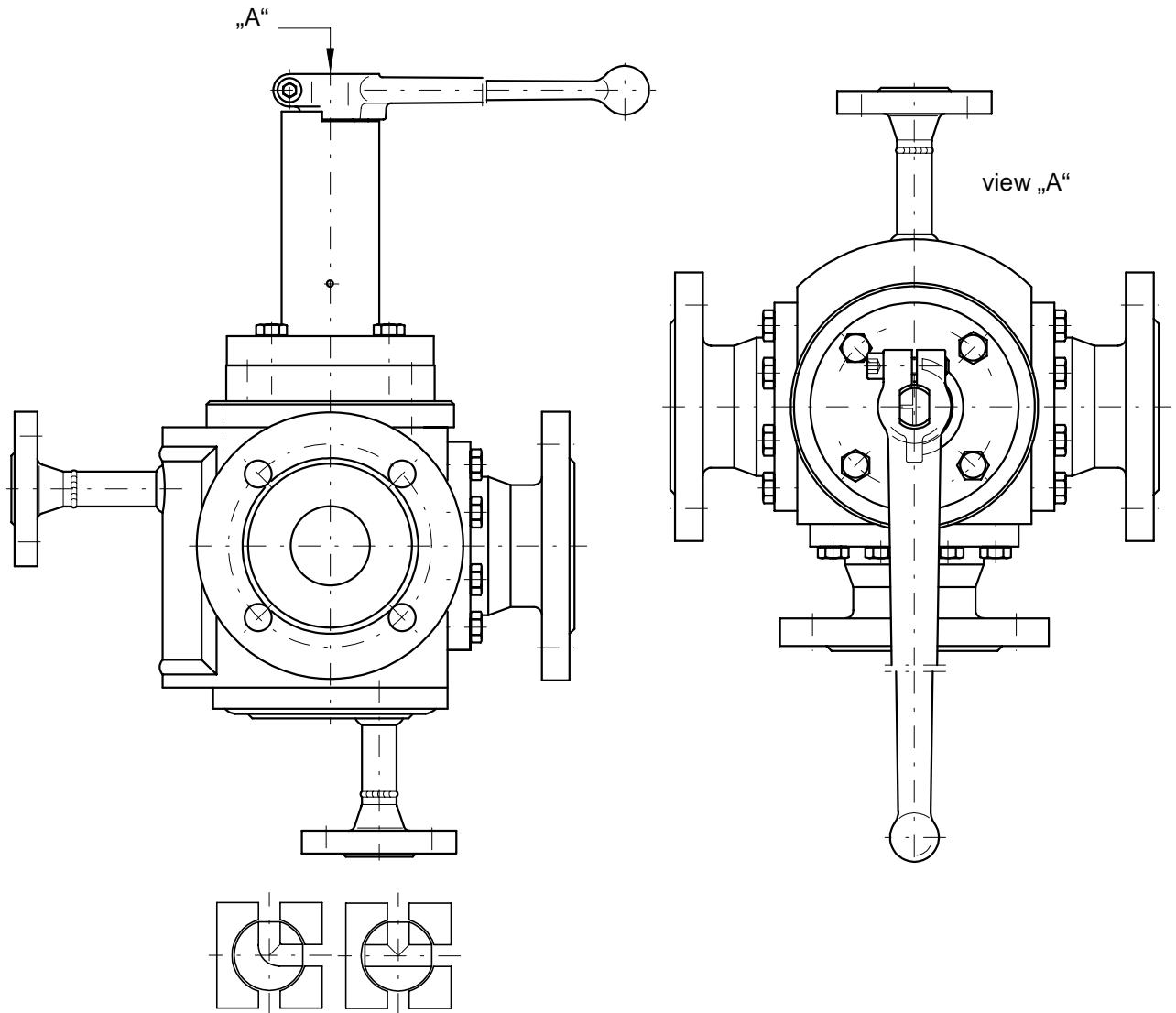


schematic drawing

Heating jacket

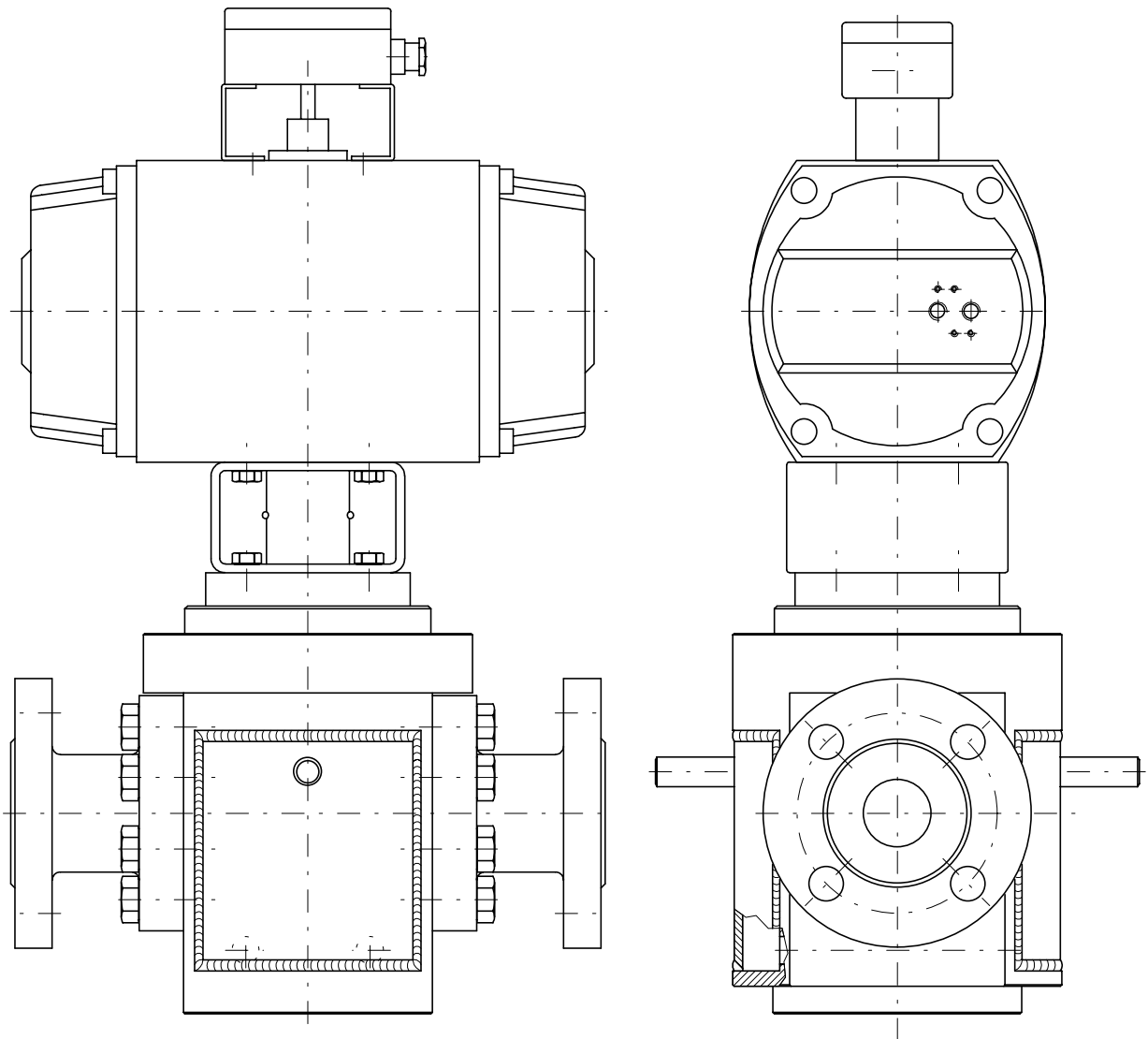
jacketed three-way ball valve
with stem extension

Technical modifications are reserved.



schematic drawing
Heating jacket
two-way ball valve
Series 16
with pneumatic actuator

Technical modifications are reserved.



schematic drawing

Switch-over unit

(including piping and safety valves)

Combination of Series 21 and 24 Ball Valves

Technical modifications are reserved.

