

# NEEDLE VALVES

soft sealing | metal sealing

**Max. Allow. Pressure:** 103 MPa: 85°C  
**Cv Value:** 0,23 (for 3/8" 60,000 psi)  
**Temp.:** -40°C to +85°C



## FEATURES

### 1 Needle valve incorporates non-rotational structure

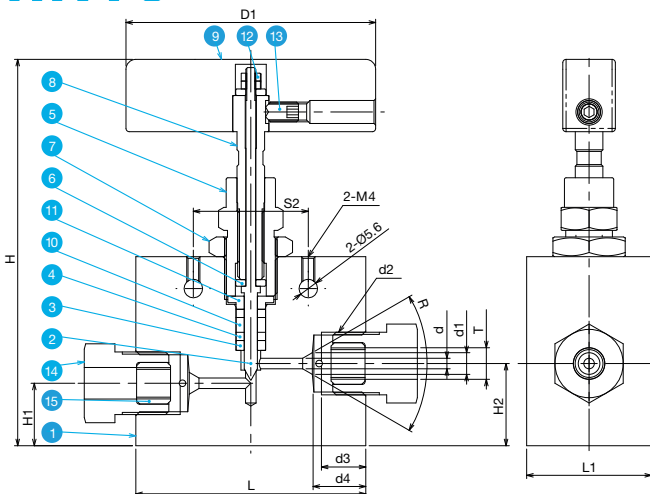
The adopted non-rotational structure secures an excellent sealing performance by preventing galling or scratching due to the up/down sealing motion of a valve body while rotating.

### 2 Secure shaft sealing structure

## KITZ PRODUCT CODE

Needle Valve: HNV6

## HNV6



## → Specifications of Needle Valves

<b>Maximum Allowable Pressure</b>	103 MPa: 85 °C
<b>Fluid Temperature Range</b>	-40 to +85 °C
<b>Cv-Value</b>	0.23 (for 3/8" 60,000 psi)
<b>Body Material</b>	ASTM A276 TYPE316
<b>Fitting</b>	Coned & Thread
<b>Actuator</b>	Manual

## → Component List

PN	Parts Name	Material
1	Body	A276 TYPE316
2	Needle	A276 TYPE316
3	Gland Rind	A276 TYPE316L
4	Gland Packing A	PEEK
5	Cap	A276 TYPE316
6	Washer	B194 C17200
7	Hexagon Nut	A194 Gr.8
8	Sleeve	A276 TYPE303
9	Bar Handle	6061-T6
10	Gland Packing B	KITZ STANDART
11	Gland	A276 TYPE316
12	Hexagon Nut	A194 Gr.8
13	Hexagon Socket Head Set Screw	Stainless Steel
14	Gland	A479 TYPE316
15	Collar	A479 TYPE316

## → Dimension Table

Nominal Size	Inch Tubing End	d	d1	d2	d3	d4	R	H	H1	H2	D1	L	L1	S2	Weight
3/8	3/8" 60,000 psi	3.2	6.6	3/4" - 16UNF	13.5	15.7	60	104 (Full open)	19	25	76	70	38	35	1.5 kg
1/4	1/4" 20,000 psi	2.8	4.8	7/16" - 20UNF	7.1	12.7	60	104 (Full open)	19	25	76	70	38	35	
1/4	1/4" 60,000 psi	2.4	4.3	9/16" - 18UNF	9.7	11.2	60	104 (Full open)	19	25	76	70	38	35	
3/8	3/8" 20,000 psi	3.2	7.9	9/16" - 18UNF	9.7	15.7	60	104 (Full open)	19	25	76	70	38	35	